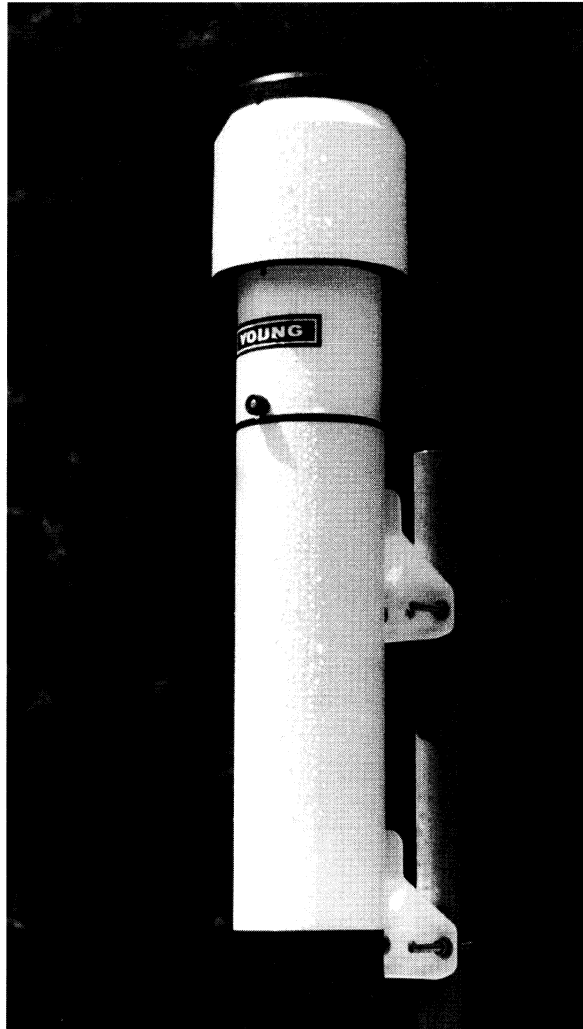


The Model 50202 Precipitation Gauge accurately measures rain or snow precipitation without moving parts.

Durable thermoplastic construction with no moving parts offers excellent corrosion resistance and long term reliability. Insulated housings and thermostatically controlled heaters permit operation at temperatures below freezing. Unique design with centrally located capacitive sensor is unaffected by unsteady conditions, making the instrument ideal for use on moving platforms such as buoys and ships.

Rain or snow collected in the catchment funnel is directed into the measuring chamber; 1 mm of precipitation produces a 5 mm rise in the chamber. Column level is sensed by a capacitive probe and converted to a linear voltage signal that can be read by external electronics. When the column level reaches a maximum of 250 mm (50 mm of precipitation), the chamber automatically empties and the process repeats. Total precipitation can be tracked by a datalogger or recorder.



Specifications

Threshold:

1 mm (.04 in)

Accuracy:

± 1 mm (±.04 in)

Signal:

0 to 5.00 VDC = 0 to 50 mm precipitation

Chamber Drain Time:

30 seconds approx.

Power Requirement:

Measuring Circuit: 8 to 30 VDC unregulated
Heater: 48 Watts @ 28 VAC

Operating Temperature: -20°C to +50°C (-4°F to +122°F)

Dimensions:

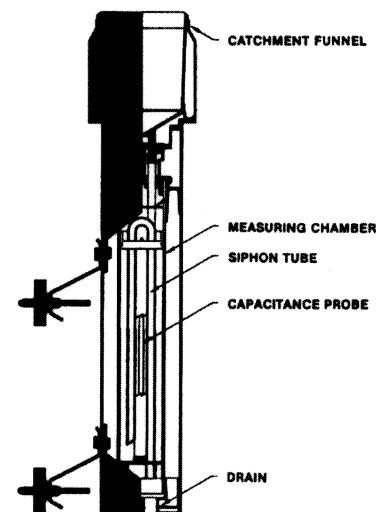
Height: 65 cm (25.6 in)
Diameter: 14 cm (5.5 in)
Catchment Diameter: 133 mm (4.4 in)
Catchment Area: 100 cm² (60.8 in²)

Mounting:

U-bolts fit vertical pipe, 25-50 mm (1-2 in) diameter.

Weight:

2.5 Kg (5.5 lb)
Shipping Weight: 4 Kg (9 lb)



Ordering Information

MODEL

PRECIPITATION GAUGE	50202
PRECIPITATION GAUGE - UNHEATED	50203



R.M. YOUNG COMPANY
2801 Aero Park Drive
Traverse City, Michigan 49686 U.S.A.
TEL: (231) 946-3980 FAX: (231) 946-4772
E-mail: met.sales@youngusa.com
Web Site: www.youngusa.com